



SHENCO VALVES PVT. LTD.

AN ISO 9001-2000 COMPANY

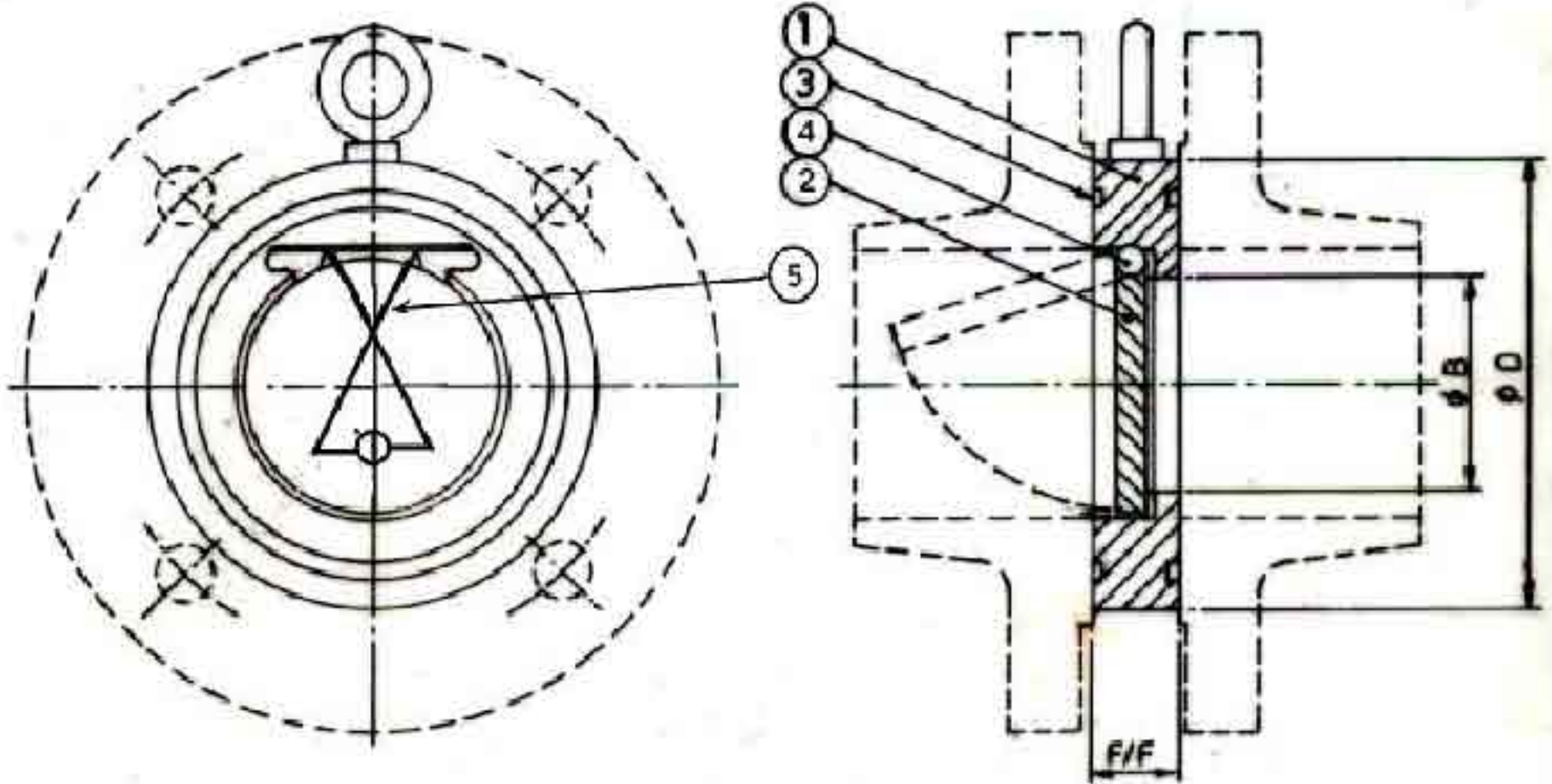
FACTORY: VILLAGE SANTEJ, TA: KALOL, DIST: GANDHINAGAR,
GUJARAT, INDIA. PIN: 382721

DRAWING NO.

SVPL/WCV/01
REV NO. 00

WAFER TYPE SPRING LOADED CHECK VALVE

CONSTRUCTION: WAFER TYPE, FLANGELESS, SPRING LOADED CHECK VALVE,
SUITABLE TO MOUNTING BETWEEN ASME B16.5 150# FLANGES
MANUFACTURING STANDARD: BS-1868 / API-6D / TESTING STANDARD: AS SHOWN
FACE-TO-FACE: AS SHOWN / END CONNECTION: FLANGELESS



DIMENSIONAL DATA IN MM

SIZE	ØB	F/F	ØD
50	30	19	95
65	38	19	111
80	52	19	130
100	72	19	162
125	90	22	194
150	115	22	220
200	158	29	275
250	195	38	330
300	242	38	380
350	278	45	438
400	300	51	489
450	368	68	539

TEST PRESSURE

TEST PRESSURE	
HYDROSTATIC	
SHELL	15 KG/CM ²
SEAT	10 KG/CM ²

MATERIAL SPECIFICATION

SR.NO.	NOMENCLATURE	MATERIAL		
1	BODY	ASTM A216 GR.WCB	ASTM A351 GR.CF8	ASTM A351 GR.CF8M
2	DISC	ASTM A216 GR.WCB	ASTM A351 GR.CF8	ASTM A351 GR.CF8M
3	SEAT	EPDM	PTFE	PTFE
4	HINGE PIN	SS 304	SS 316	SS 316
5	SPRING	SS 316	SS 316	SS 316

DRAWN BY: R.S.G.

APPROVED BY: G.G.B.