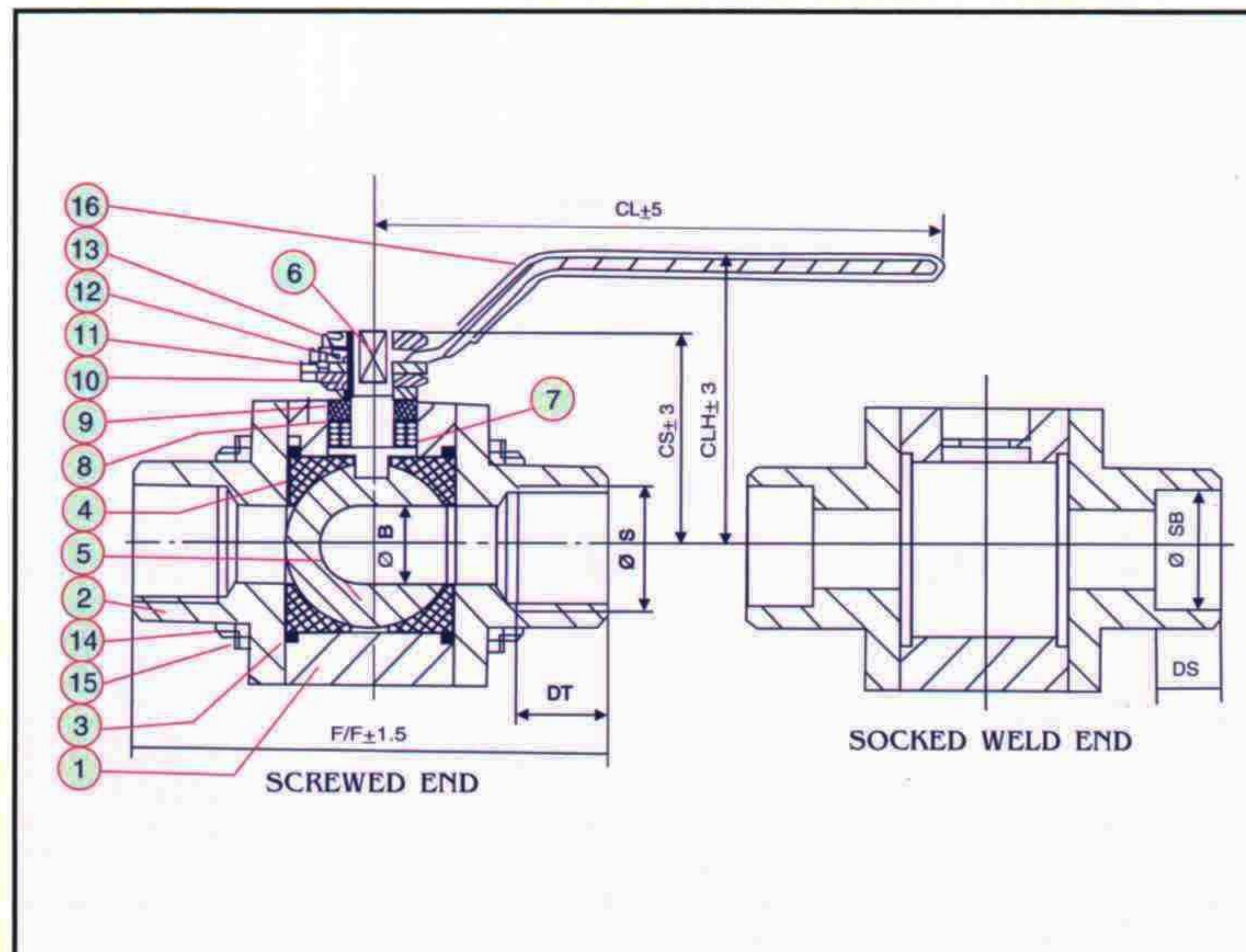


# 3 PC. DESIGN FULL BORE L/T PORT, 3 WAY BALL VALVES



SIZES 15 MM - 50 MM



- ◆ SIZES 200 MM & ABOVE WITH GEAR OPERATION (OPTIONAL)
- ◆ VALVES UPTO 50 NB SIZES WITH HAND LEAVERS, 65 NB AND ABOVE WITH EXTENSION HANDLES.

## DIMENSIONAL DATA IN MM.

SIZE	ØB	F/F	CS	CLH	CL	ØS	DT	ØSB	DS
15	12.5	73	35	50	110	1/2"	13.5	21.8	10
20	17	86	40	55	110	3/4"	14	27.4	13
25	24	101	42	60	135	1"	17.5	34.1	13
40	37	127	70	95	220	1 1/2"	18.5	49.0	13
50	49	150	85	100	260	2"	19.5	61.0	16

### CONSTRUCTION :

3 PIECE FULL BORE, L/T PORT, BLOW OUT PROOF STEM FLOATING BALL, FIRE / NON FIRE SAFE DESIGN LEVER OPERATED BALL VALVE.

### MANUFACTURING STANDARD :

BS EN ISO 17292

### TESTING STANDARD :

BS EN ISO 12266

### FACE TO FACE :

AS SHOWN

### END CONNECTIONS :

SCREWED ENDS TO BSP/BSPT/NPT FEMALE Thd's  
SOCKET WELD ENDS TO ANSI-B 16-11

## MATERIAL SPECIFICATION

PART NO.	NOMENCLATURE	MATERIAL						
		ASTM A	ASTM A	ASTM A	ASTM A	ALLOY	HAST	HAST
1	BODY	ASTM A	ASTM A	ASTM A	ASTM A	ALLOY	HAST	HAST
2	BODY CONNECTOR	351 CF8	351 CF8M	351 CF3	351 CF3M	20	B	C
3	CONNECTOR SEAL	PTFE						
4	BALL SEAT	PTFE						
5	BALL	AISI304	AISI316	AISI304L	AISI316L	ALLOY20	HAST-B	HAST-C
6	STEM	AISI304	AISI316	AISI304L	AISI316L	ALLOY20	HAST-B	HAST-C
7	STEM SEAL	PTFE/GFT						
8	GLAND PACKING	PTFE						
9	GLAND	AISI304	AISI316	AISI304L	AISI316L	ALLOY20	HAST-B	HAST-C
10	GLAND NUT	SS-304						
11	STOPPER	SS-304/MS.						
12	LEVER	SS-304/MS. Cd. PLATED						
13	LEVER NUT	SS-304/MS. Cd. PLATED						
14	BODY STUD	SS-304/ASTM. A193 Gr.B7						
15	BODY NUT	SS-304/ASTM.A194 Gr.2H						
16	LEVER SLEEVE	PVC						



for Quality Performance & Service